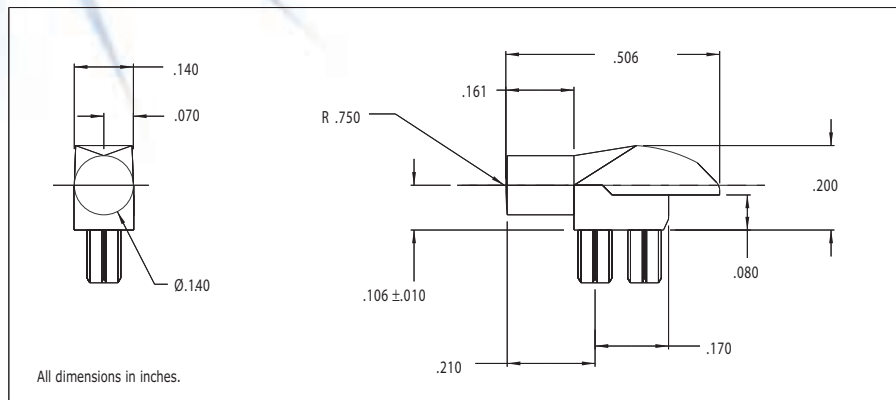


7513D2-S Series Bright★Pipes™ Optical Lightpipes
DESCRIPTION AND FEATURES


- Precision engineered with **ray tracing** for bright, optically precise even indication and attractive appearance.
- ESD protection from circuitry for exceptional reliability.
- Optimized for use with Bright★Chips™ SMT LEDs.
- High contrast and wide viewing angle for greater visibility.
- Available in a variety of colors for added contrast and aesthetics.
- Parts inserted after reflow to permit LED pad inspection before assembly.
- Low profile for height constrained applications.
- Large lens provides high visibility.
- 7513D2-S is designed for use with 67-21 and 67-22 Series Bright Chip LEDs.

Mounting hole pattern on page 1-X5.